

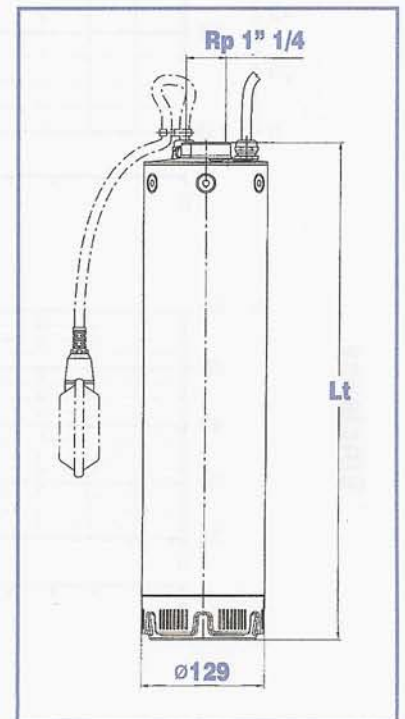
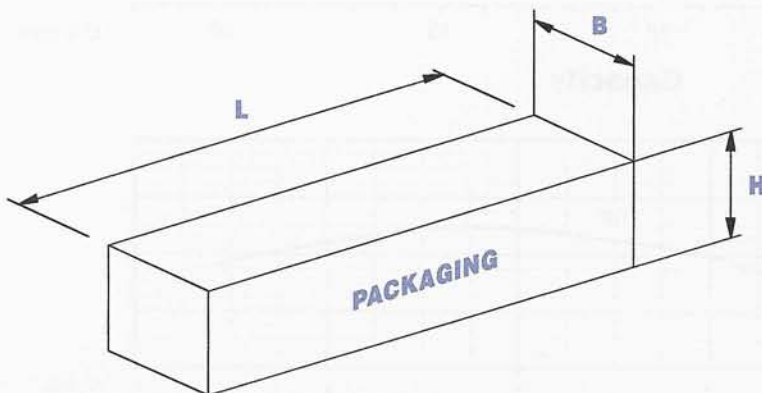
Performance table at ~ 2850 rpm

PUMP MODEL		NUMBER OF STAGES	MOTOR POWER		INPUT POWER	CAPACITOR		RATED CURRENT	
Single-phase 220-240V 50Hz	Three-phase 380-415V 50Hz		kW	HP		μF	V	Single-phase 220-240V 50Hz	Three-phase 380-415V 50Hz
VN 3/4	-	4	0.55	0.75	0.85	16	450	4	-
VN 3/5	-	5	0.75	1	1	20	450	4.8	-
VN 3/6	-	6	0.75	1	1.2	20	450	5.6	-
VN 3/7	-	7	1.1	1.5	1.35	30	450	6.3	-
VN 3/8	VN 3/8T	8	1.1	1.5	1.55	30	450	7.2	2.75
VN 3/9	VN 3/9T	9	1.5	2	1.8	35	450	8.7	3.2
VN 3/10	VN 3/10T	10	1.5	2	2	35	450	9.7	3.5

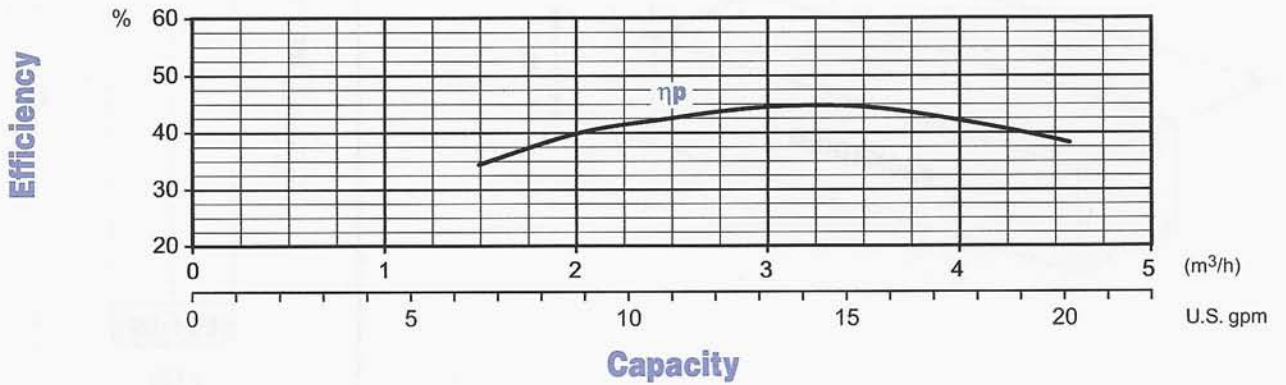
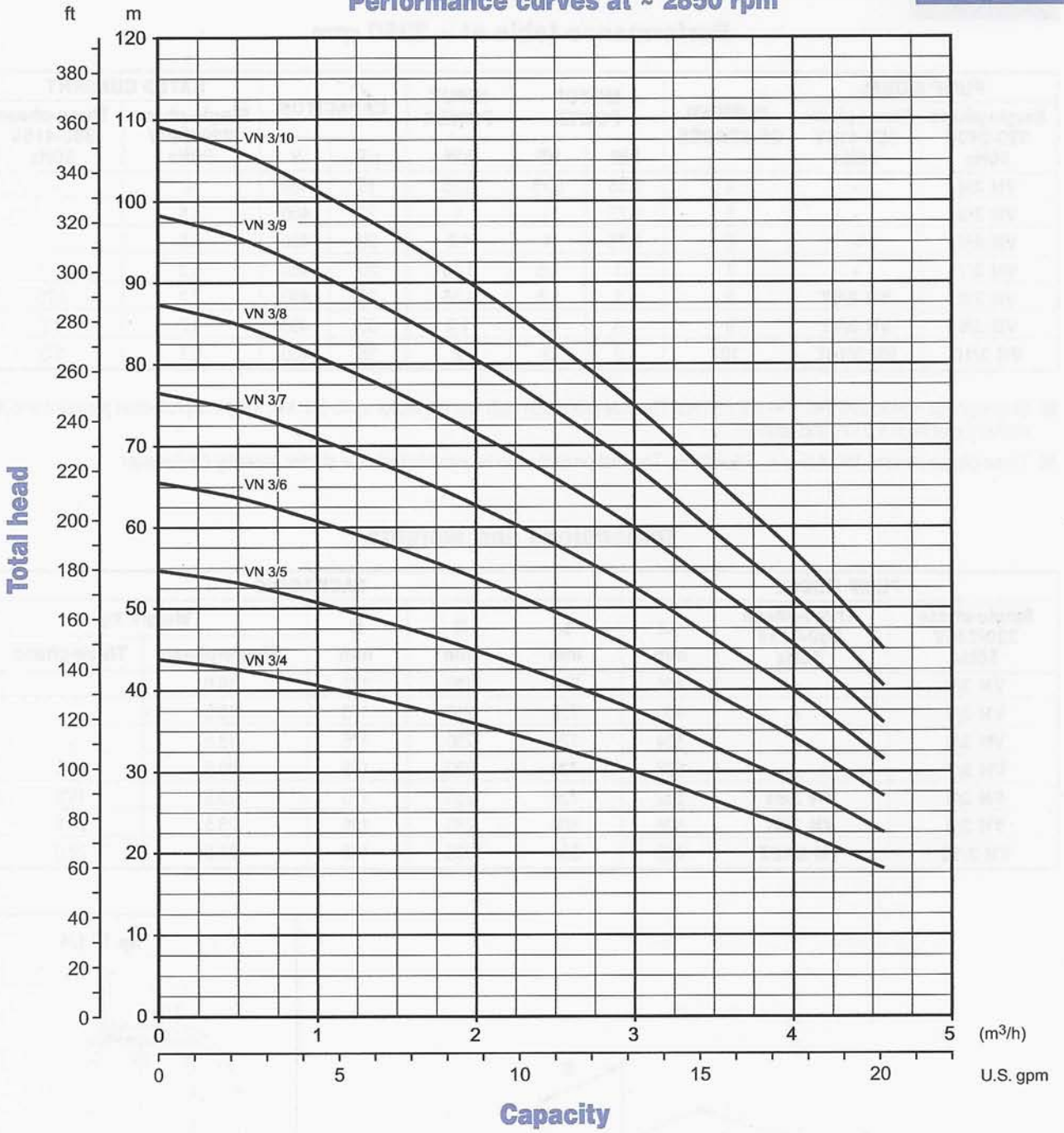
- Single-phase motor: 220-240 V +/- 5% / 50 Hz. Thermal protection built into the motor up to 1,1 kW. Thermal protection provided into the starter panel from 1,5 kW and above.
- Three-phase motors: 380-415 V +/- 5% / 50 Hz. Thermal protection to be provided into the starter panel by the installer

Dimensions and weights

PUMP MODEL			PACKAGING				
Single-phase 220-240V 50Hz	Three-phase 380-415V 50Hz	Lt mm	L mm	B mm	H mm	Weight kg	
						Single-phase	Three-phase
VN 3/4	-	456	720	230	175	16.0	-
VN 3/5	-	480	720	230	175	18.0	-
VN 3/6	-	504	720	230	175	18.5	-
VN 3/7	-	528	720	230	175	20.0	-
VN 3/8	VN 3/8T	552	720	230	175	20.5	19.5
VN 3/9	VN 3/9T	576	800	230	195	23.5	21.5
VN 3/10	VN 3/10T	650	800	230	195	24.0	22.0



Performance curves at ~ 2850 rpm



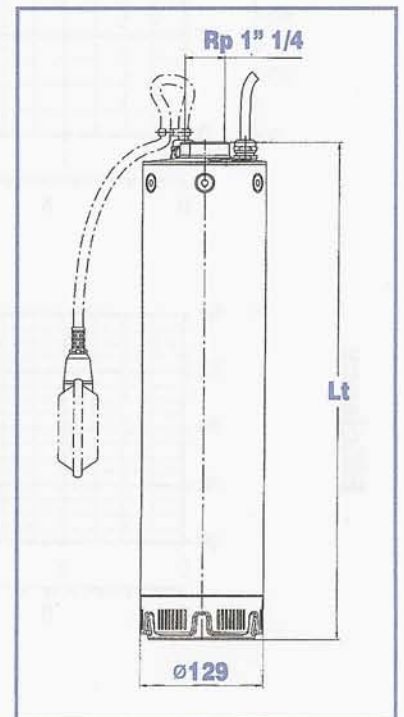
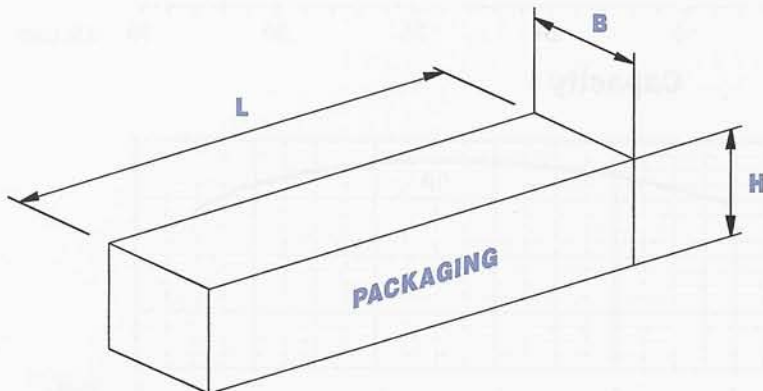
Performance table at ~ 2850 rpm

PUMP MODEL		NUMBER OF STAGES	MOTOR POWER		INPUT POWER	CAPACITOR		RATED CURRENT	
Single-phase 220-240V 50Hz	Three-phase 380-415V 50Hz		kW	HP		μF	V	Single-phase 220-240V 50Hz	Three-phase 380-415V 50Hz
VN 5/4	-		4	0.75	1			1.15	20
VN 5/5	-	5	1.1	1.5	1.4	30	450	6.5	-
VN 5/6	VN 5/6T	6	1.1	1.5	1.65	30	450	7.6	2.8
VN 5/7	VN 5/7T	7	1.5	2	1.95	35	450	9.5	3.3
VN 5/8	VN 5/8T	8	1.5	2	2.2	35	450	10.5	3.8
VN 5/9	VN 5/9T	9	2.2	3	2.4	45	450	11.2	4.4
VN 5/10	VN 5/10T	10	2.2	3	2.65	45	450	12.3	4.8

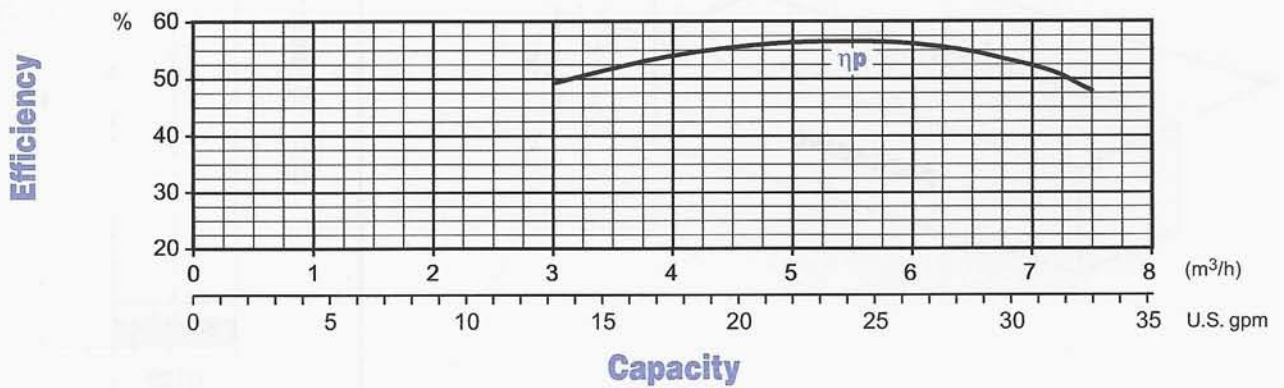
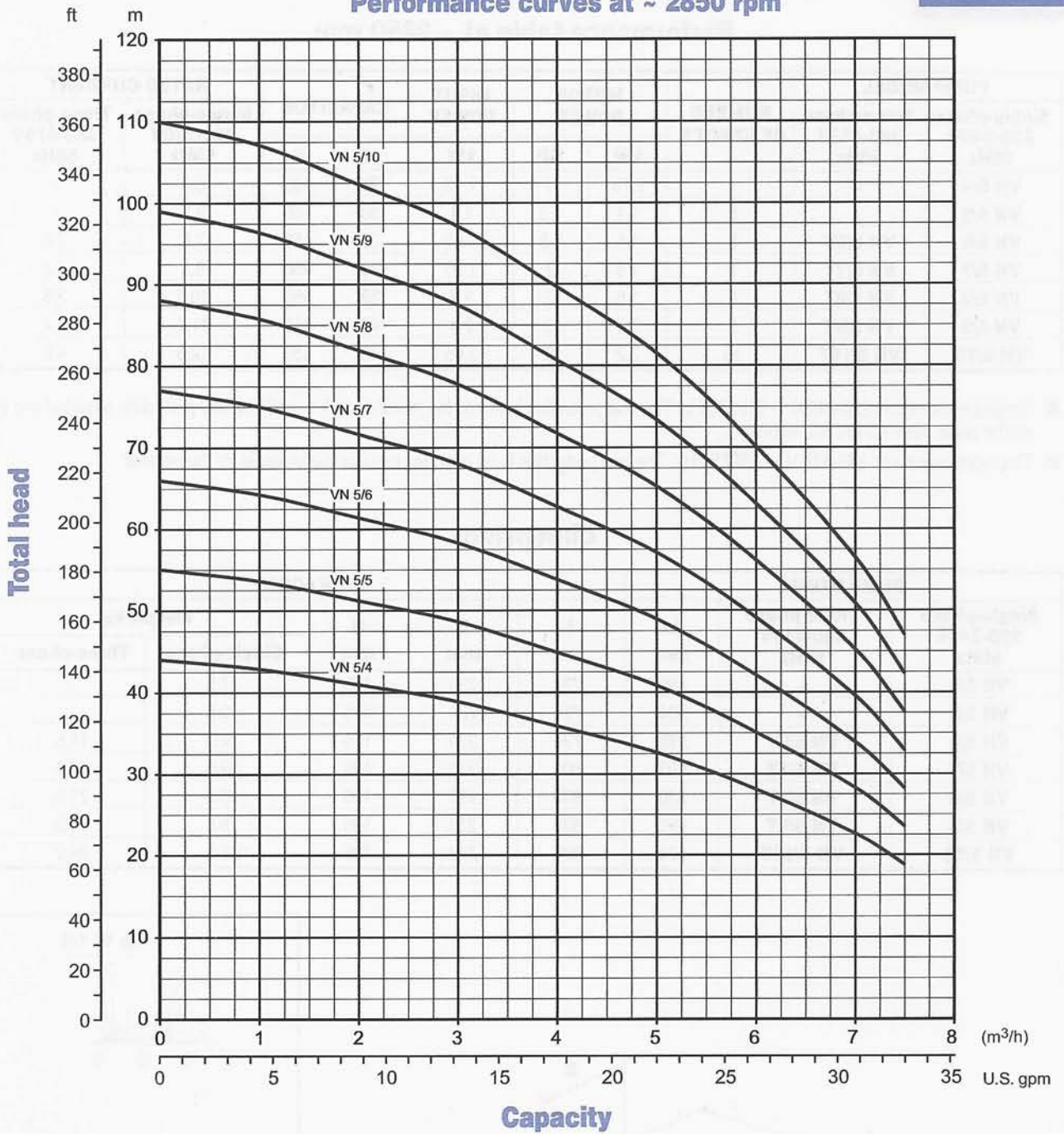
- Single-phase motor: 220-240 V +/- 5% / 50 Hz. Thermal protection built into the motor up to 1,1 kW. Thermal protection provided into the starter panel from 1,5 kW and above.
- Three-phase motors: 380-415 V +/- 5% / 50 Hz. Thermal protection to be provided into the starter panel by the installer

Dimensions

PUMP MODEL			PACKAGING				
Single-phase 220-240V 50Hz	Three-phase 380-415V 50Hz	Lt mm	L mm	B mm	H mm	Weight kg	
						Single-phase	Three-phase
VN 5/4	-	480	720	230	175	17.5	-
VN 5/5	-	504	720	230	175	19.0	-
VN 5/6	VN 5/6T	528	720	230	175	19.5	18.5
VN 5/7	VN 5/7T	602	800	230	195	22.5	20.5
VN 5/8	VN 5/8T	626	800	230	195	23.0	21.0
VN 5/9	VN 5/9T	650	800	230	195	25.0	23.5
VN 5/10	VN 5/10T	674	800	230	195	25.5	24.0



Performance curves at ~ 2850 rpm



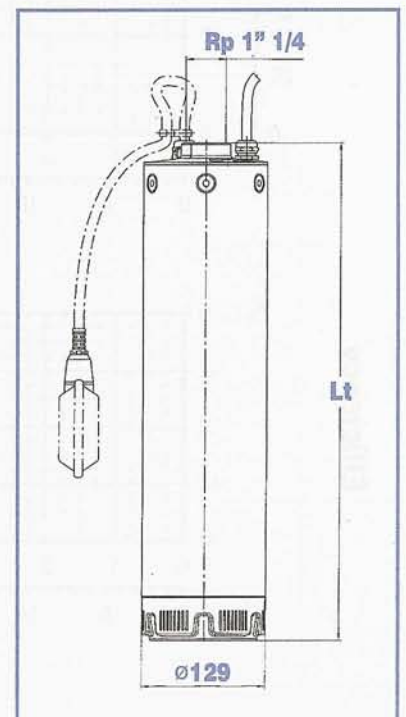
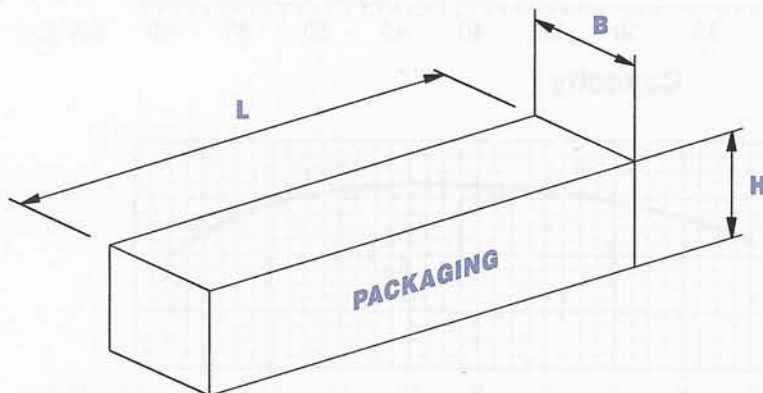
Performance table at ~ 2850 rpm

PUMP MODEL		NUMBER OF STAGES	MOTOR POWER		INPUT POWER	CAPACITOR		RATED CURRENT	
Single-phase 220-240V 50Hz	Three-phase 380-415V 50Hz		kW	HP		kW	μF	V	Single-phase 220-240V 50Hz
VN 9/3	-	3	1.1	1.5	1.4	30	450	6.5	-
VN 9/4	VN 9/4T	4	1.5	2	1.9	35	450	9.2	3.25
VN 9/5	VN 9/5T	5	2.2	3	2.3	45	450	10.8	4.1
VN 9/6	VN 9/6T	6	2.2	3	2.6	45	450	12.2	4.7
-	VN 9/7T	7	3	4	3	-	-	-	5.9
-	VN 9/8T	8	3	4	3.4	-	-	-	6.5
-	VN 9/9T	9	3	4	3.8	-	-	-	7

- Single-phase motor: 220-240 V +/- 5% / 50 Hz. Thermal protection built into the motor up to 1,1 kW. Thermal protection provided into the starter panel from 1,5 kW and above.
- Three-phase motors: 380-415 V +/- 5% / 50 Hz. Thermal protection to be provided into the starter panel by the installer

Dimensions

PUMP MODEL			PACKAGING				
Single-phase 220-240V 50Hz	Three-phase 380-415V 50Hz	Lt mm	L mm	B mm	H mm	Weight kg	
						Single-phase	Three-phase
VN 9/3	-	504	720	230	175	18.5	-
VN 9/4	VN 9/4T	584	720	230	175	21.5	19.0
VN 9/5	VN 9/5T	614	800	230	195	23.5	22.0
VN 9/6	VN 9/6T	644	800	230	195	24.0	22.5
-	VN 9/7T	674	800	230	195	-	24.5
-	VN 9/8T	704	800	230	195	-	25.0
-	VN 9/9T	734	800	230	195	-	25.5



Performance curves at ~ 2850 rpm

